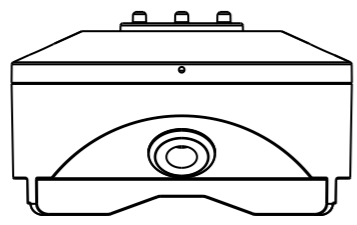
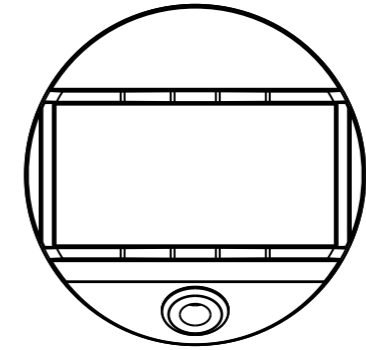
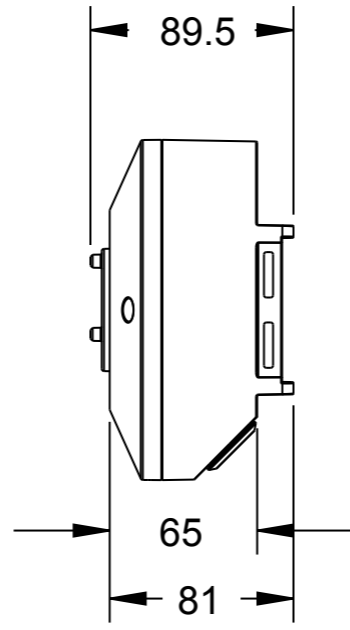
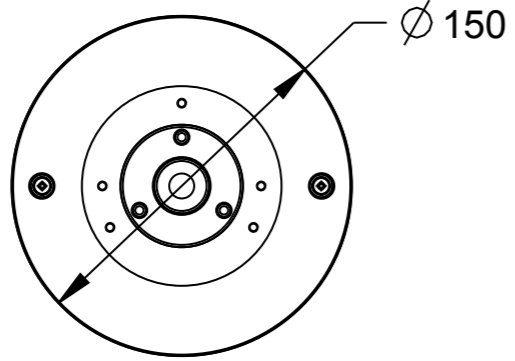
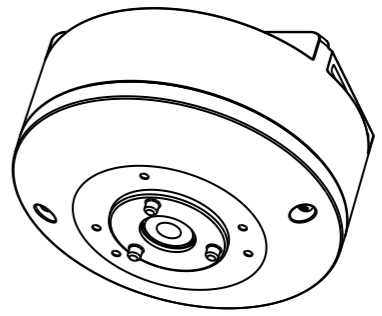
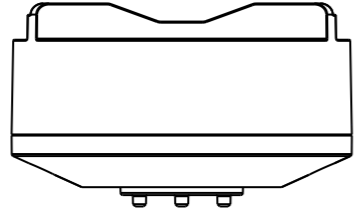


11 10 9 8 7 6 5 4 3 2 1 0

F  
E  
D  
C  
B  
A

F  
E  
D  
C  
B  
A



11 10 9 8 7 6 5 4 3 2 1 0

ITEM NO	PART OR IDENTIFYING NO	NOMENCLATURE OF DESCRIPTION	MATERIAL SPECIFICATION	QTY REQD
PART LIST				
UNLESS OTHERWISE SPECIFIED DIMENSIONS ARE IN "mm". TOLERANCE AREA:		CAD GENERATED DRAWING DO NOT MANUALLY UPDATE		
Dimension Tolerance		APPROVALS	DATE	
0-5	±0.1	DRAWN		
5-10	±0.15			
10-50	±0.2			
50-100	±0.25			
100-	±0.25%	CHECKED		
MATERIAL		RESP ENG		
FINISH		MPG ENG		
NEXT ASSY	USED ON	QUAL ENG		
APPLICATION		DO NOT SCALE DRAWING		
		SCALE	CAD FILE	SHEET
		SIZE A3	DC P/N:	REV. 0

MegaVideo Electric (HongKong) Industry Co.,Ltd